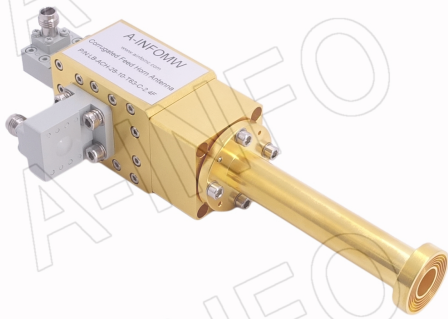


For reference only. See data sheet for the detailed specifications.

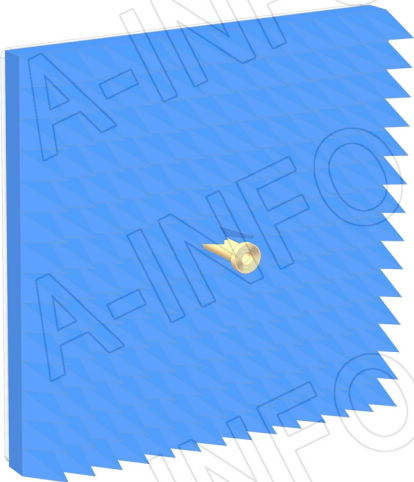
Technical Specification

LB-ACH-28-10-T63-C-2.4F



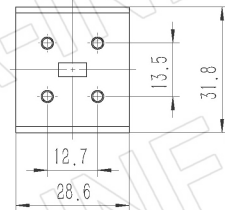
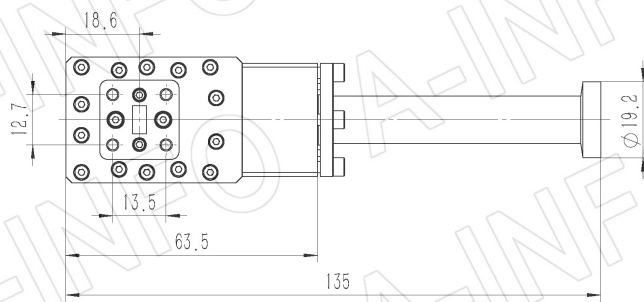
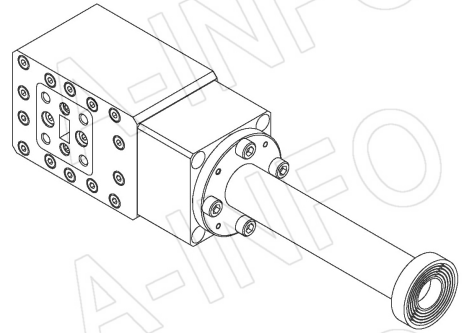
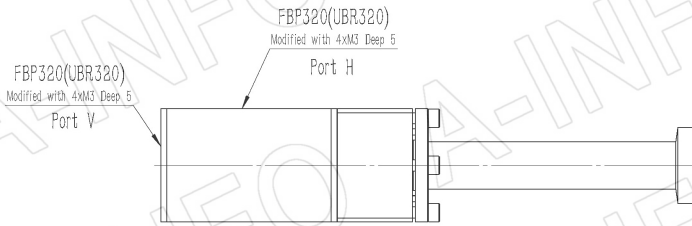
Frequency Range(GHz)	23.0 – 44.0	
Waveguide	WR28	
Gain(dBi)	10 Typ.	
Polarization	Dual Linear	
3dB Beamwidth(deg)	E Plane:	55 Typ.
	H Plane:	57 Typ.
10dB Beamwidth(deg)	E Plane:	104 Typ.
	H Plane:	106 Typ.
Cross Pol. Isolation(dB)	40 Typ.	
Port to Port Isolation(dB)	50 Typ. ; 40 Min.	
VSWR	A Type:	2.0:1 Typ.
	C Type:	2.0:1 Typ.
Output	A Type:	FBP320(UBR320) (Modified with 4xM3 D5)
	C Type:	2.92mm-Female or 2.4mm-Female
Material	Cu	
Finish	Gold Plated, Gray Paint	
Size(mm)	A Type:	28.6 x 31.8 x 135
	C Type:	51.4 x 32.6 x 157.8
	A-A1:	259 x 259 x 173.1
	C-KF-A1:	259 x 259 x 195.9
Net Weight(Kg)	A Type:	0.20 Around
	C Type:	0.28 Around
	A-A1:	2.50 Around
	C-KF-A1:	2.57 Around

LB-ACH-28-10-T63-C-2.4F-A1



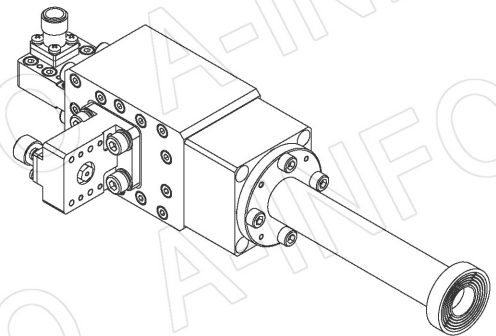
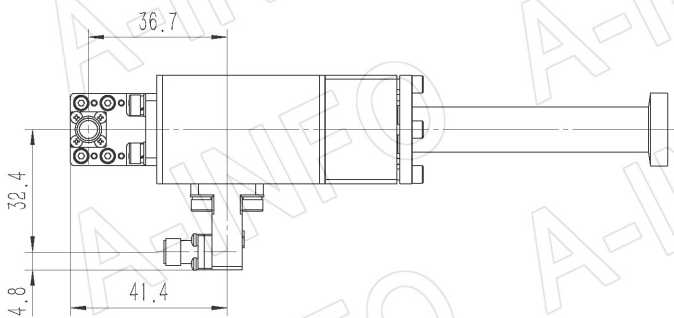
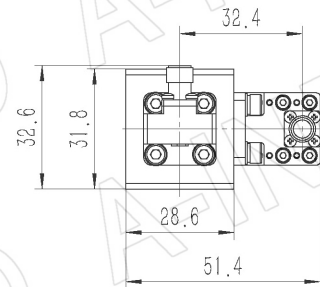
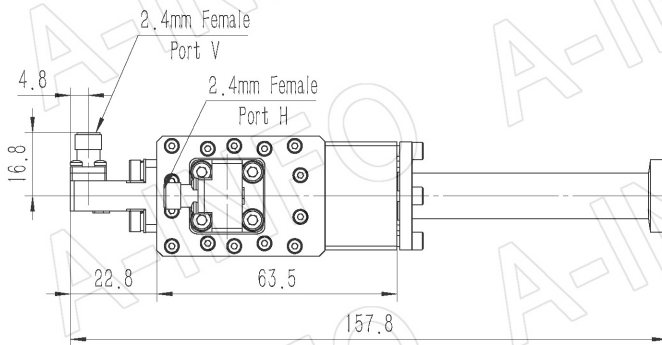
Outline Drawing (Size: mm)

FBP320 Output (P/N: LB-ACH-28-10-T63-A)



2.4mm-Female Output (P/N: LB-ACH-28-10-T63-C-2.4F)

For 2.92mm-Female output outline drawing, please contact A-INFO.



AINFO Inc.

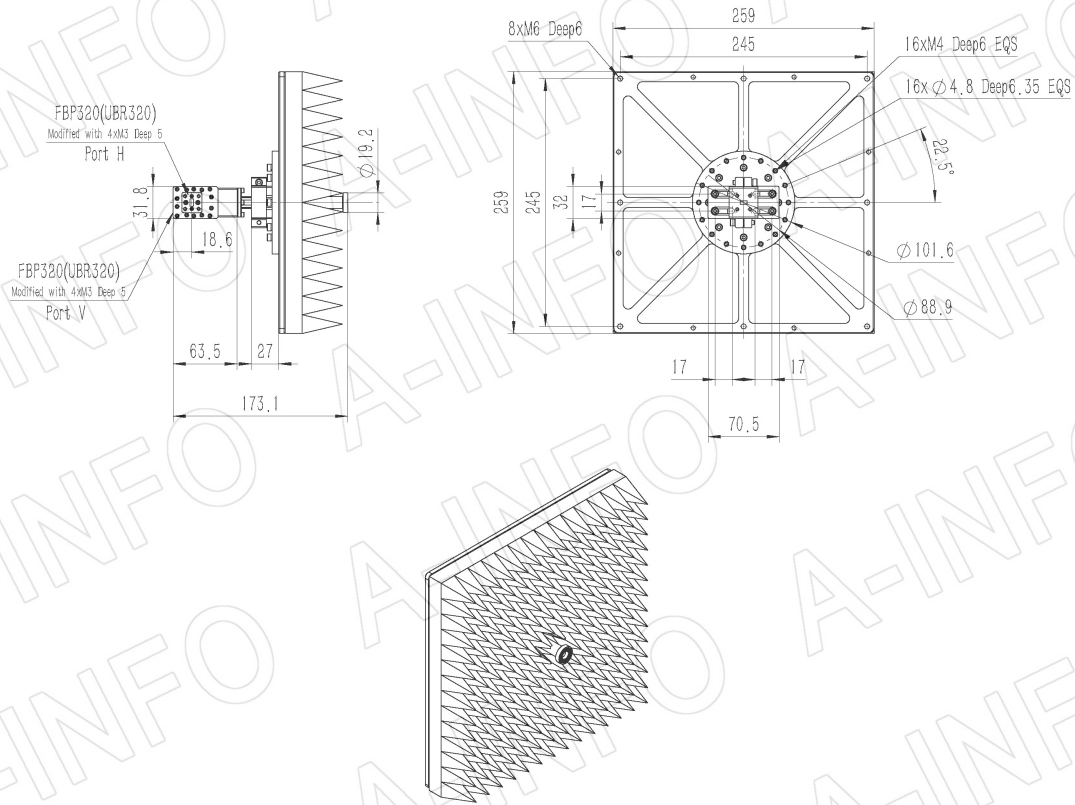
China(Beijing): Tel: (+86) 10-6266-7326,
China(Chengdu): Tel: (+86) 28-8519-2786,
USA: Tel: (+1) 949-639-9688,

Page 2 of 16

(+86) 10-6266-7327 Fax: (+86) 10-6266-7379
(+86) 28-8519-3044 Fax: (+86) 28-8519-3068
(+1) 949-639-9608 Fax: (+1) 949-639-9670

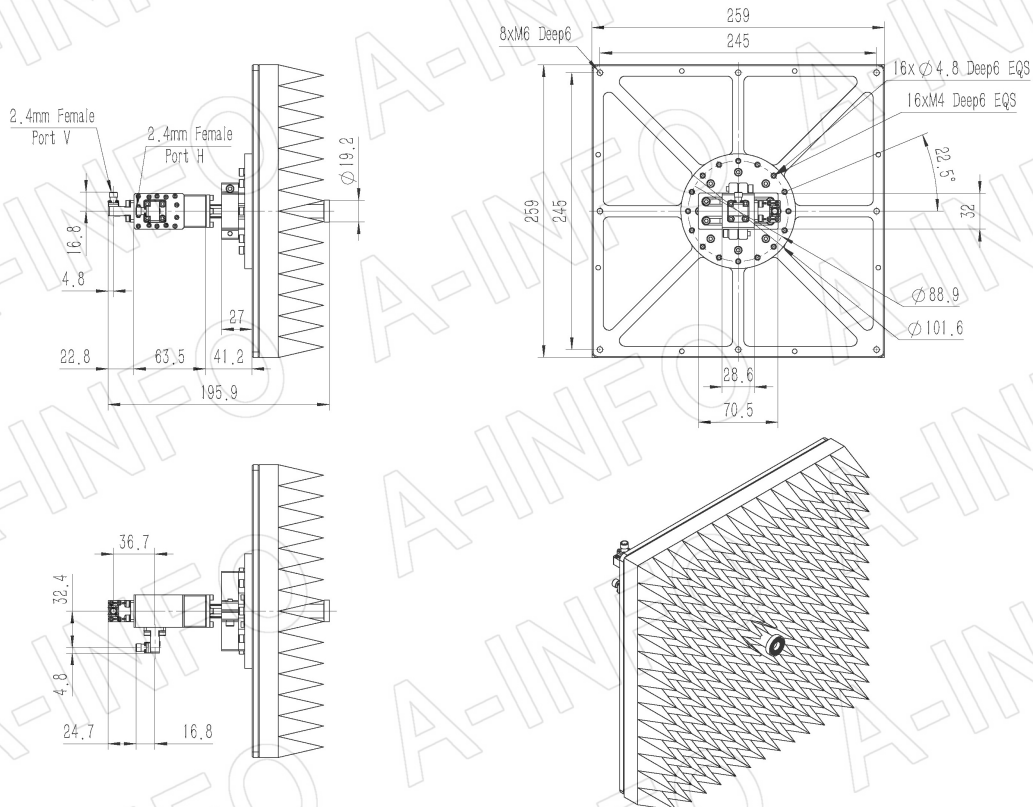
Website: www.ainfoinc.com
Email: sales@ainfoinc.com

FBP320 Output, Equipped with Absorber(Option, P/N: LB-ACH-28-10-T63-A-A1)

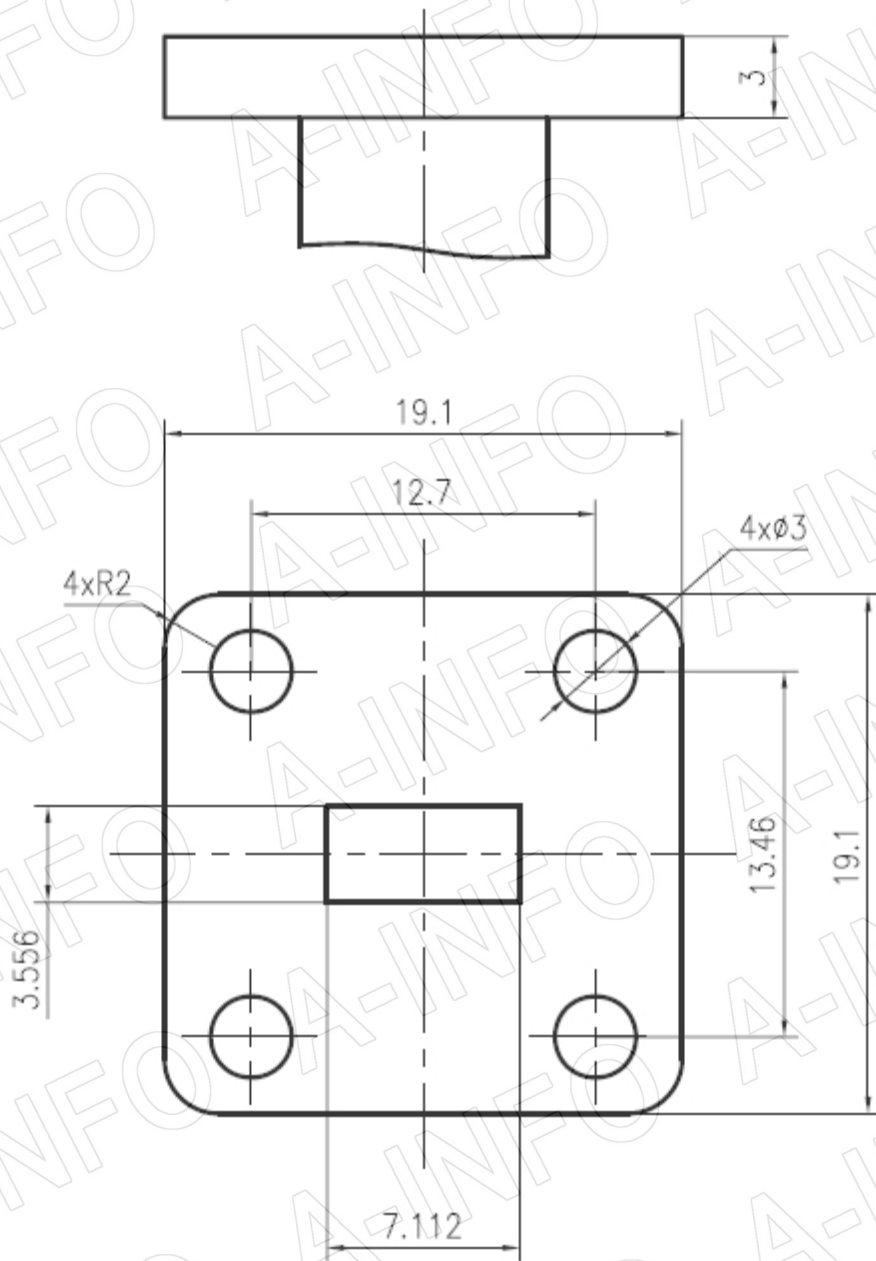


2.4mm-Female Output, Equipped with Absorber (Option, P/N: LB-ACH-28-10-T63-C-2.4F-A1)

For 2.92mm-Female output outline drawing, please contact A-INFO.



Flange Drawing (Size: mm)



FBP320

AINFO Inc.

China(Beijing): Tel: (+86) 10-6266-7326,
China(Chengdu): Tel: (+86) 28-8519-2786,
USA: Tel: (+1) 949-639-9688,

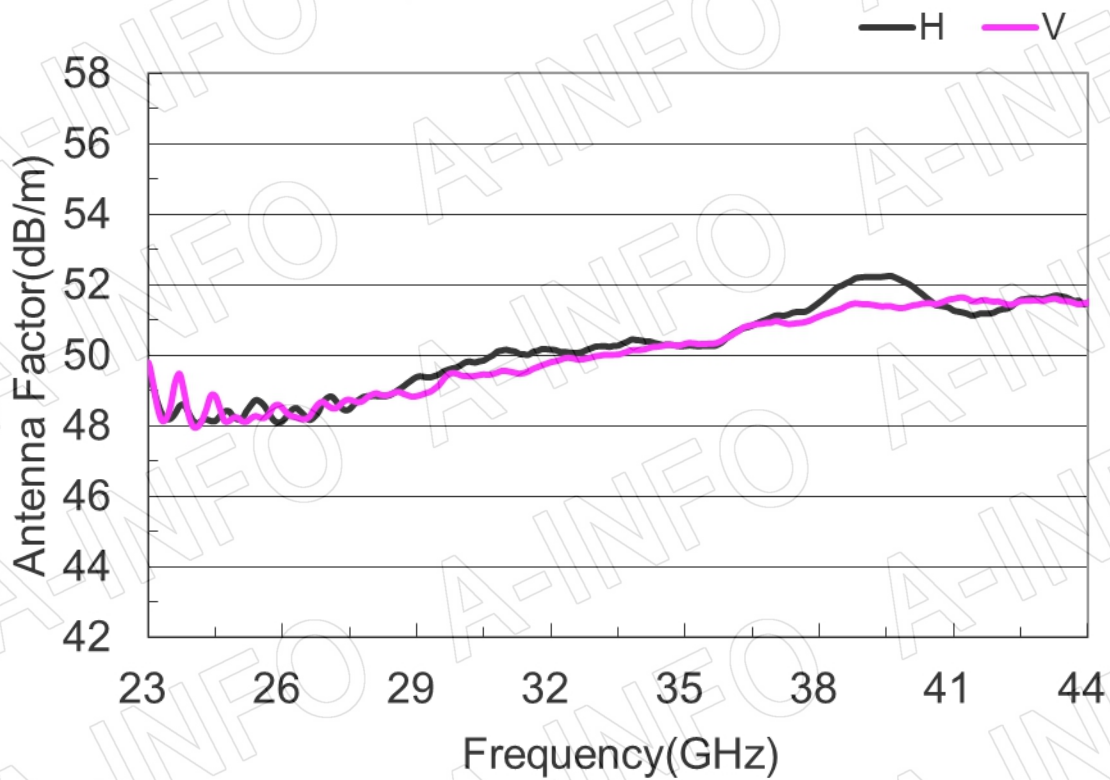
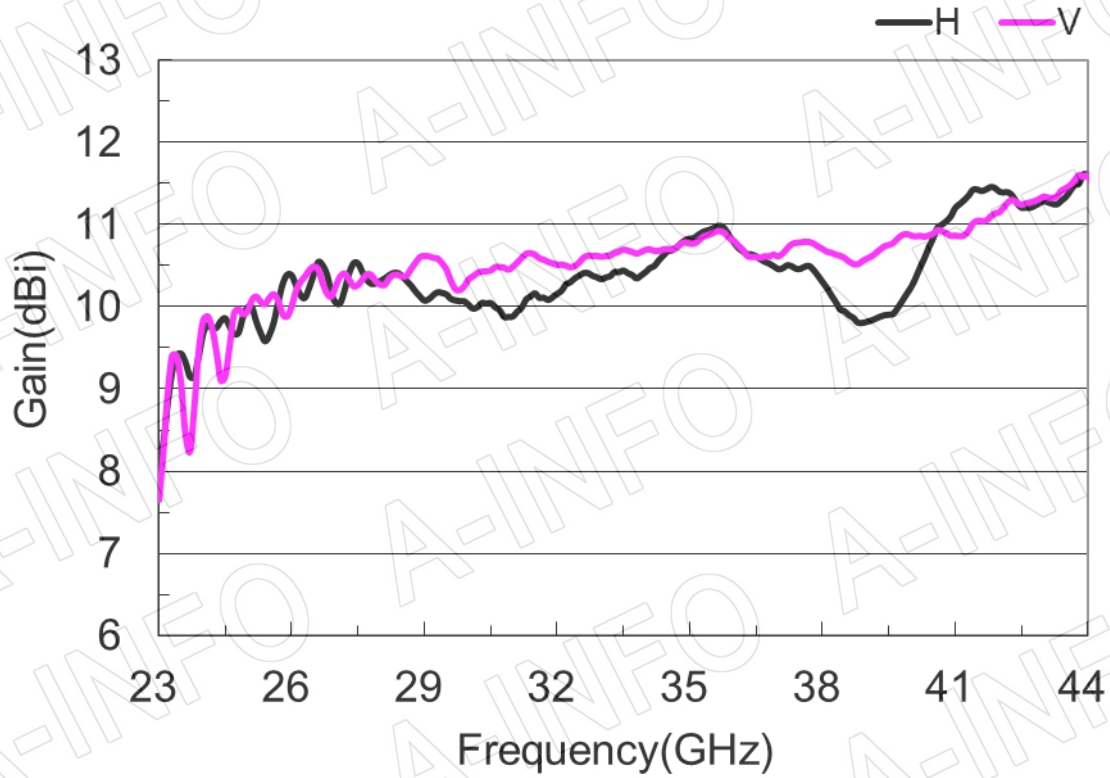
Page 4 of 16

(+86) 10-6266-7327 Fax: (+86) 10-6266-7379
(+86) 28-8519-3044 Fax: (+86) 28-8519-3068
(+1) 949-639-9608 Fax: (+1) 949-639-9670

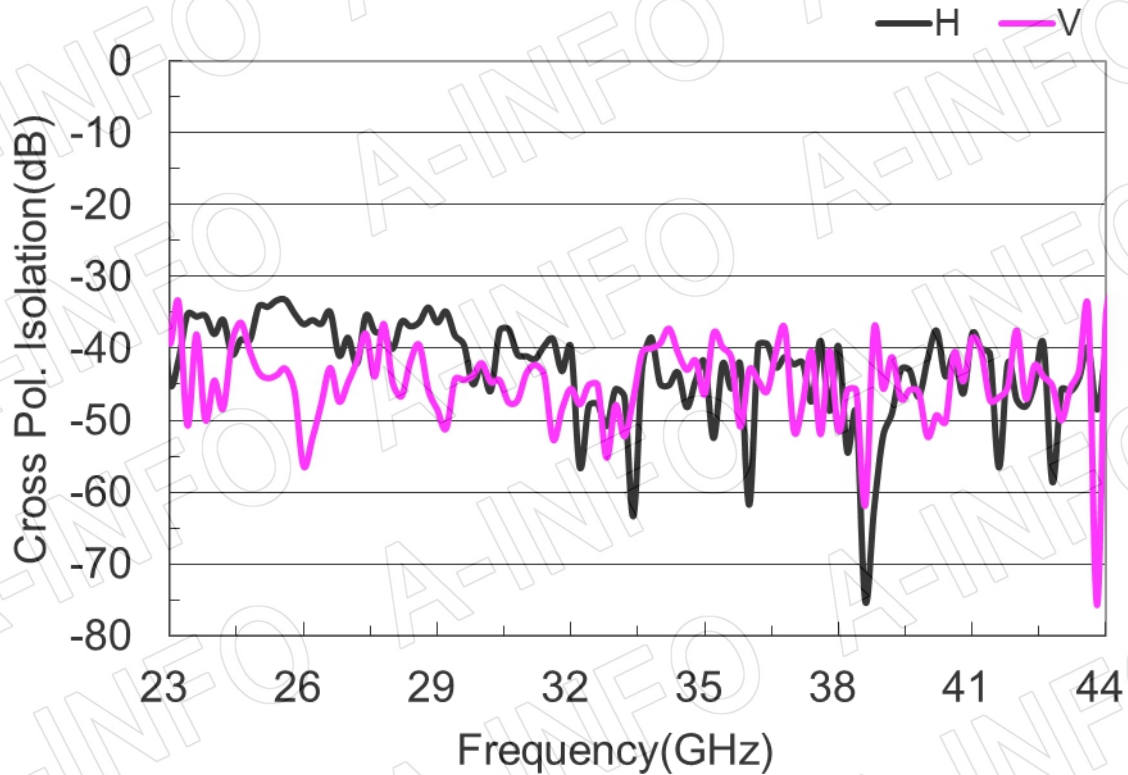
Website: www.ainfoinc.com
Email: sales@ainfoinc.com

Test Results

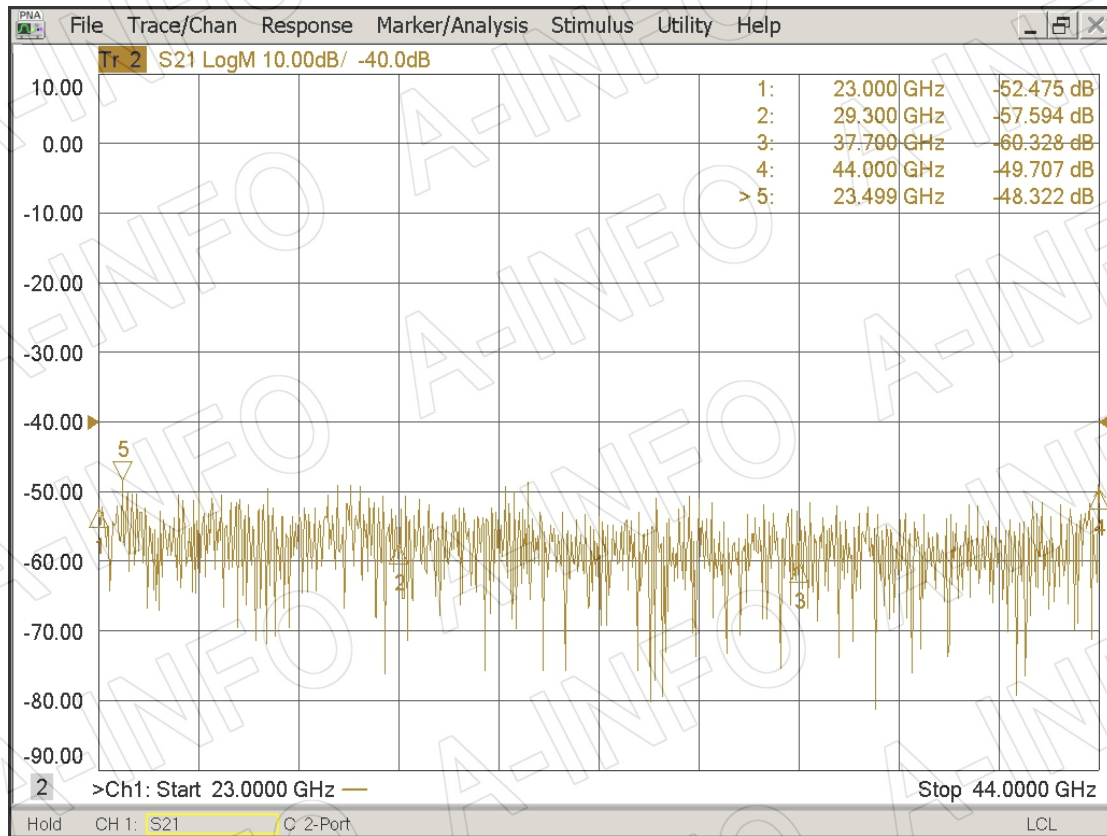
1. Gain & Antenna Factor



2. Cross Polarization Isolation

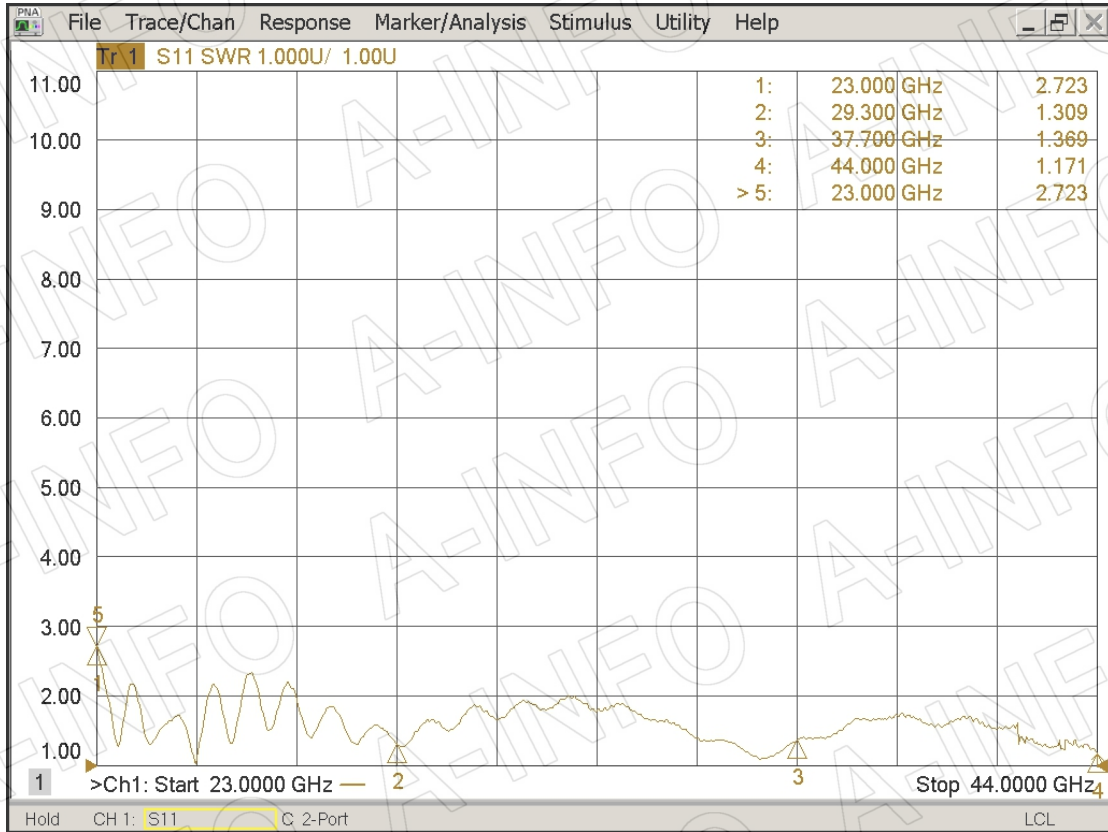


3. Port to Port Isolation

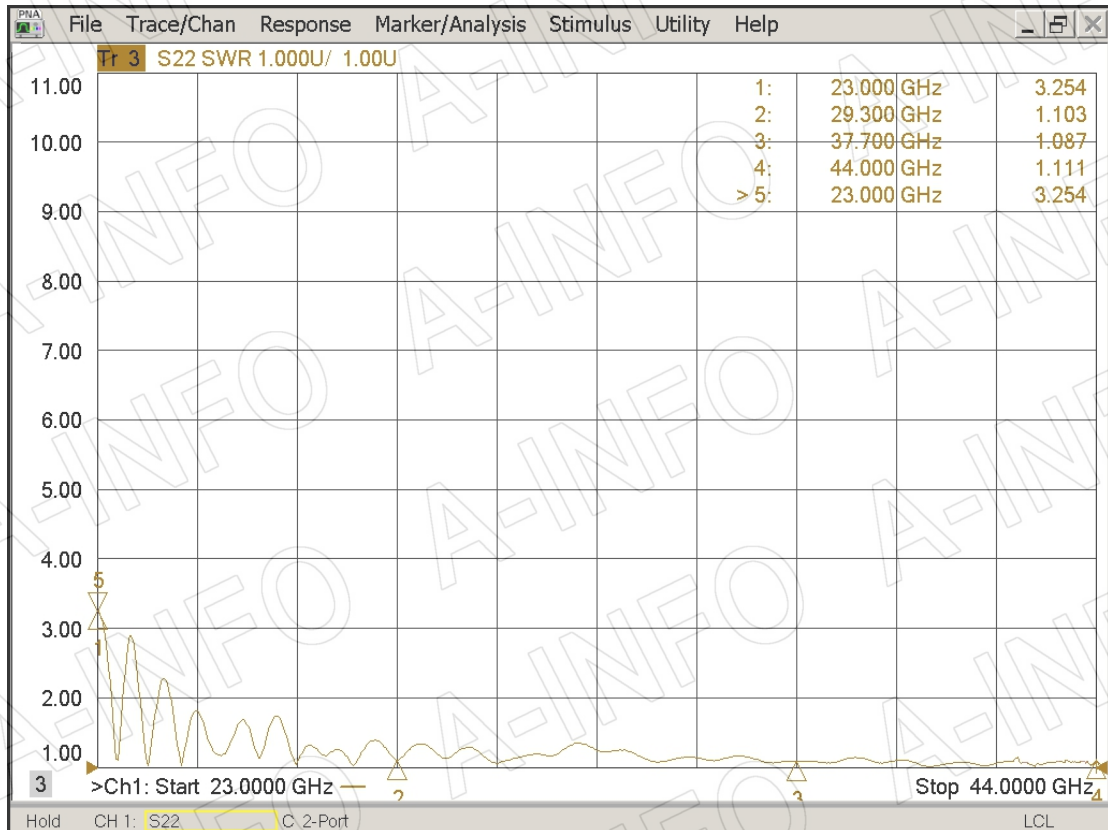


4. VSWR_A Type

Port-H

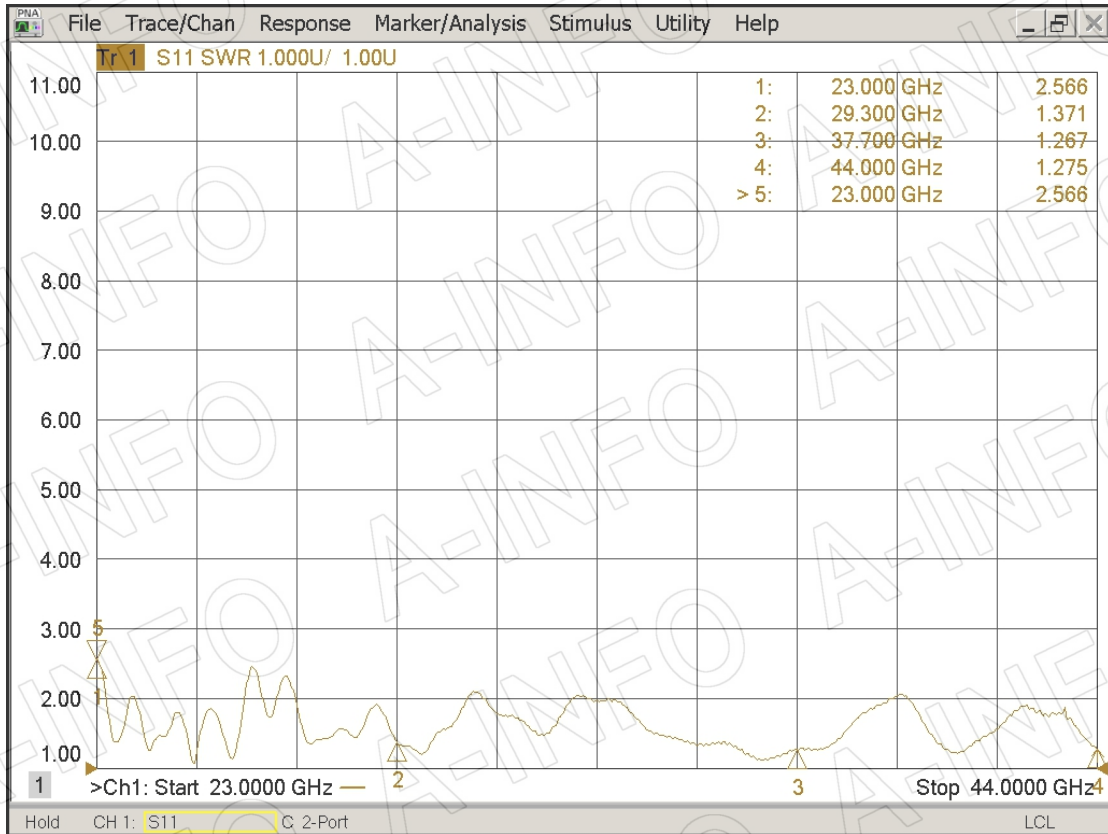


Port-V

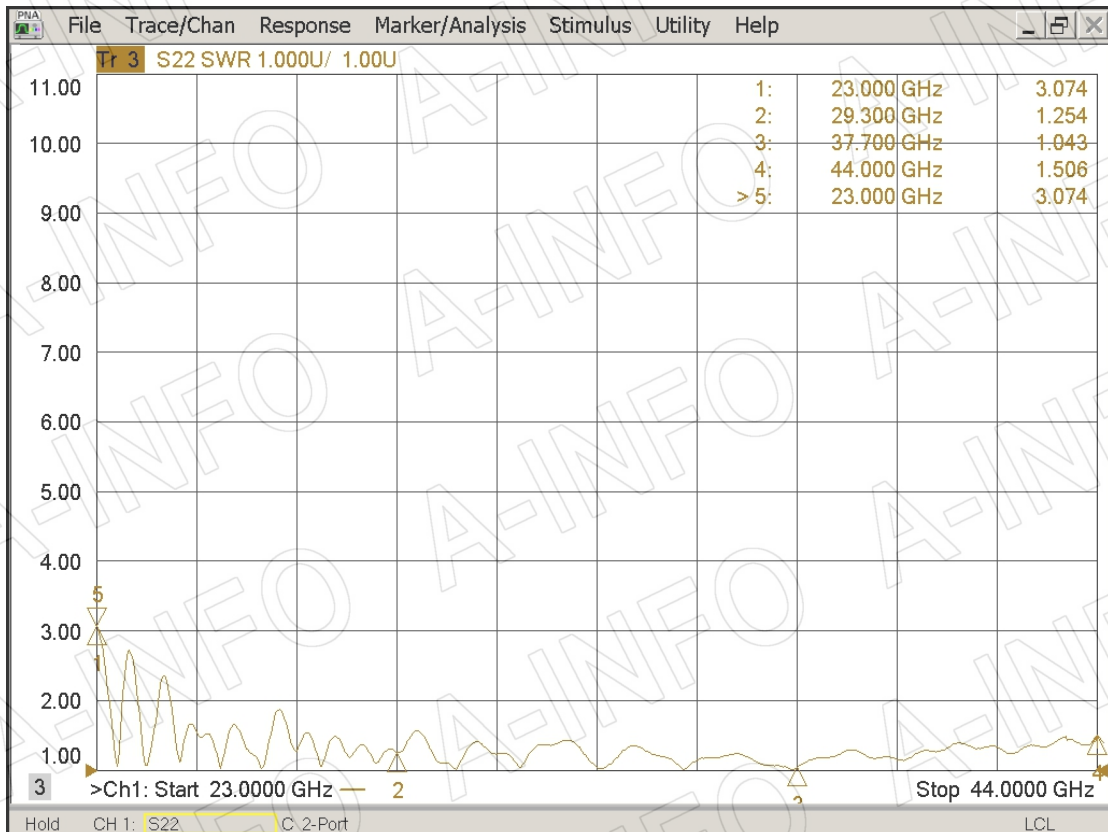


VSWR_C Type

Port-H



Port-V



5. Pattern

